



Cornell University  
Computer Systems Laboratory

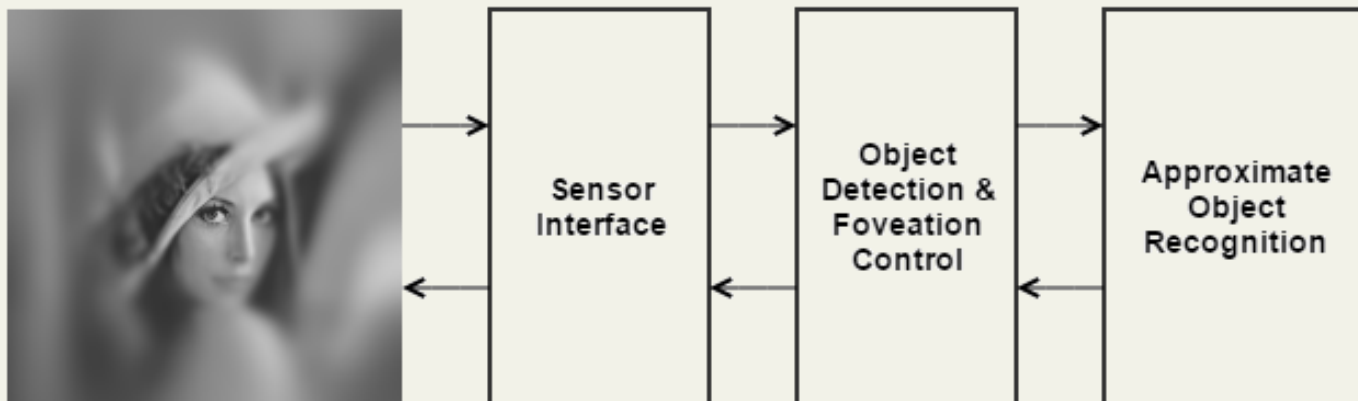
# APPROXIMATE SENSING: BRINGING APPROXIMATION TO THE SOURCE

**Mark Buckler, Suren Jayasuriya,  
Alyosha Molnar, Adrian Sampson**

ASPLOS/WAX 2016

- **Approximate computing relaxes requirements to gain energy savings**
- **The same tradeoff can benefit sensors**
  - Sample rate, sample subset, A/D bitwidth, sensing accuracy/precision

- **Example: Image recognition and tracking:**



- **Goal: Create a general API for implementing and leveraging accuracy-energy tradeoffs in sensor based systems**